

ACCEPTABLE DRAWING FOR UNIFORMED DIMENSION

SCALE: 1:10

DATE: 17/11/2017

BY: [Signature]

CHECKED: [Signature]

DRG. NO. P21-1FB-15091

REV. NO. 0

Thermax Babcock & Wilcox Limited PUNE 411 034

CLIENT:-- M/S OSWAL STEELS, ORISSA

BOILER NO. W401700

SCALE: 1:10

DRG. NO. P21-1FB-15091

REV. NO. 0

STAMPED: 17/11/2017

CHECKED: [Signature]

BY: [Signature]

REVISION

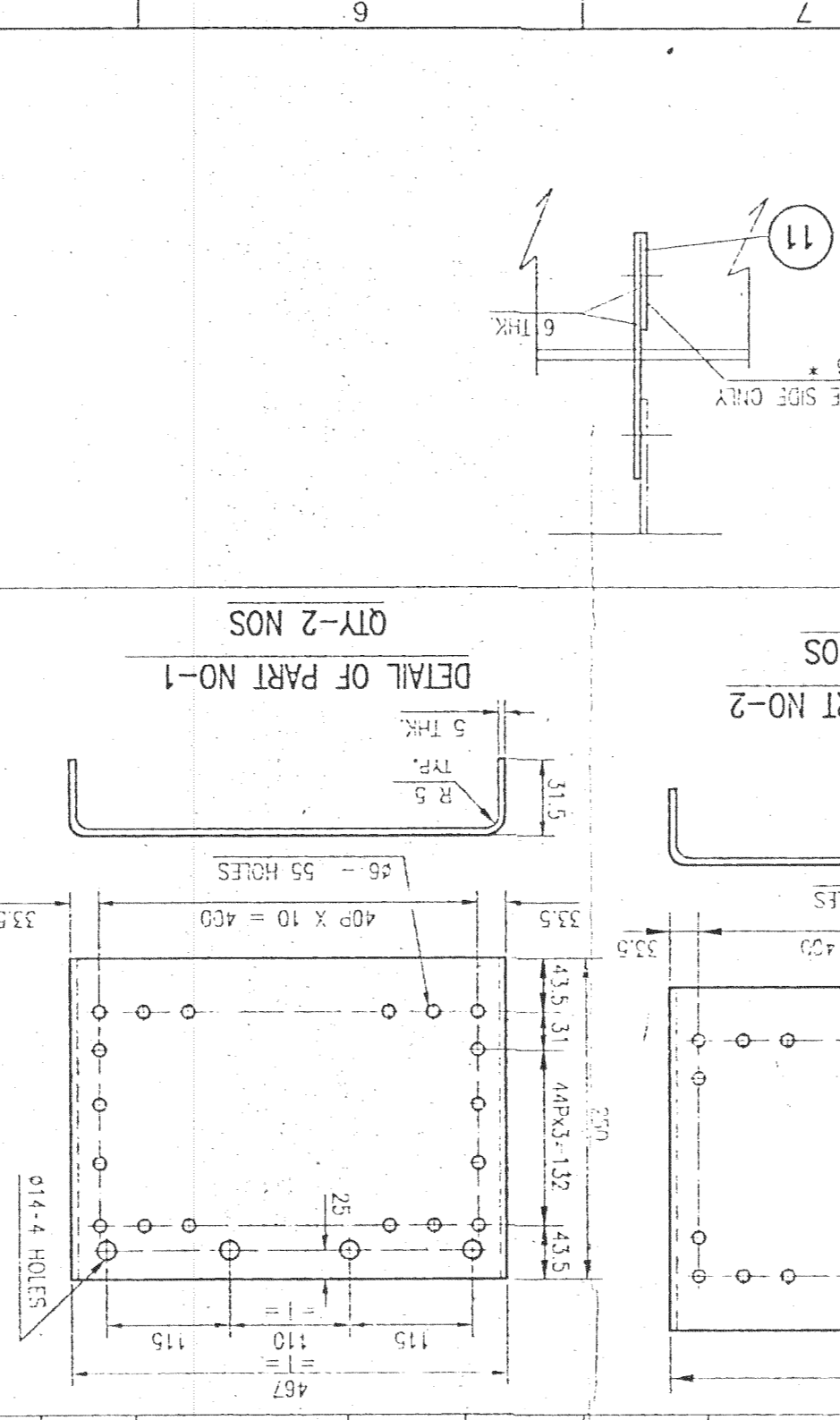
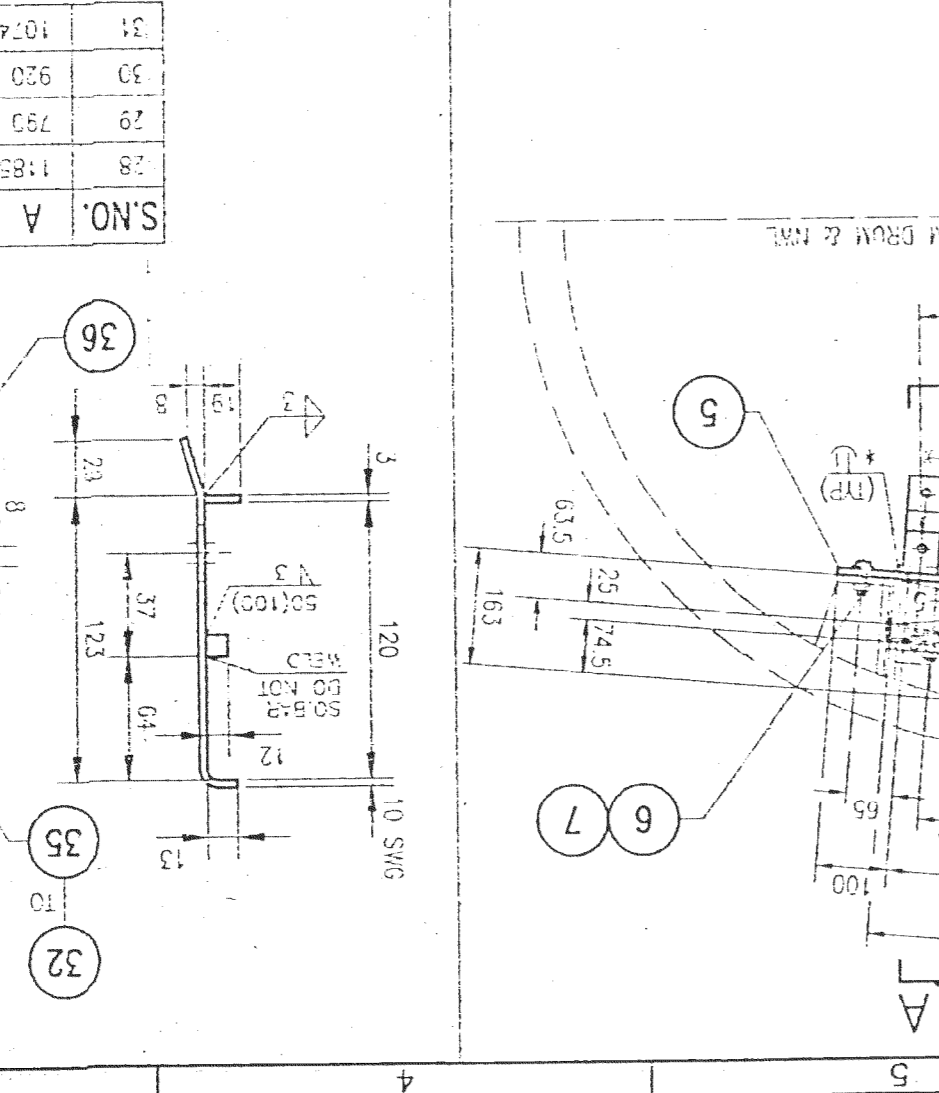
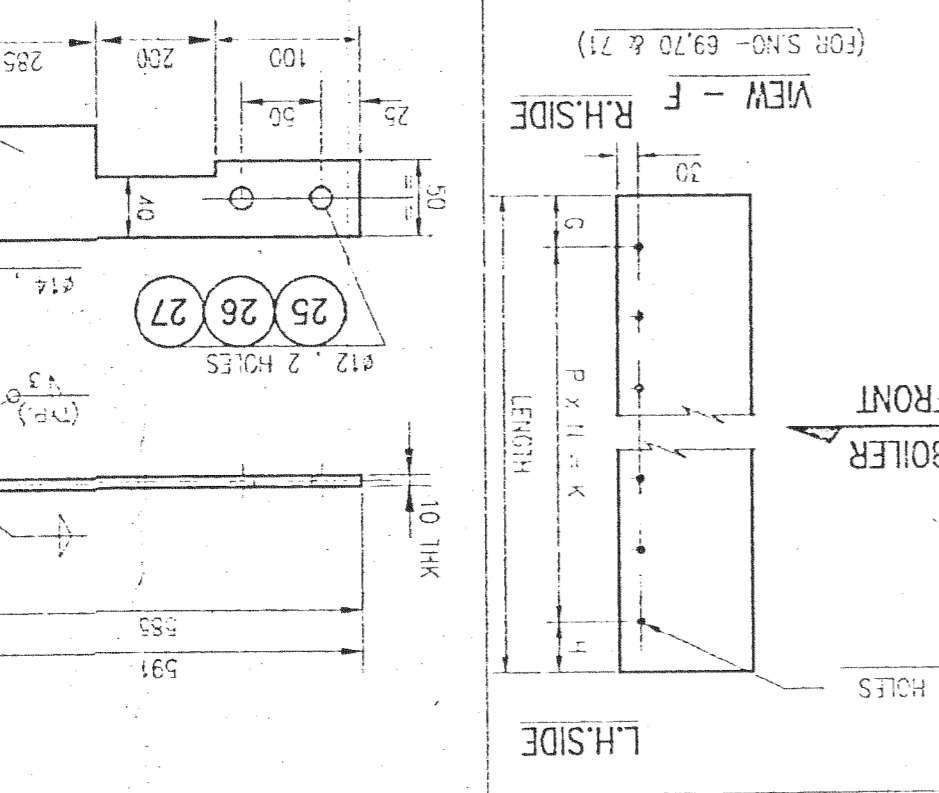
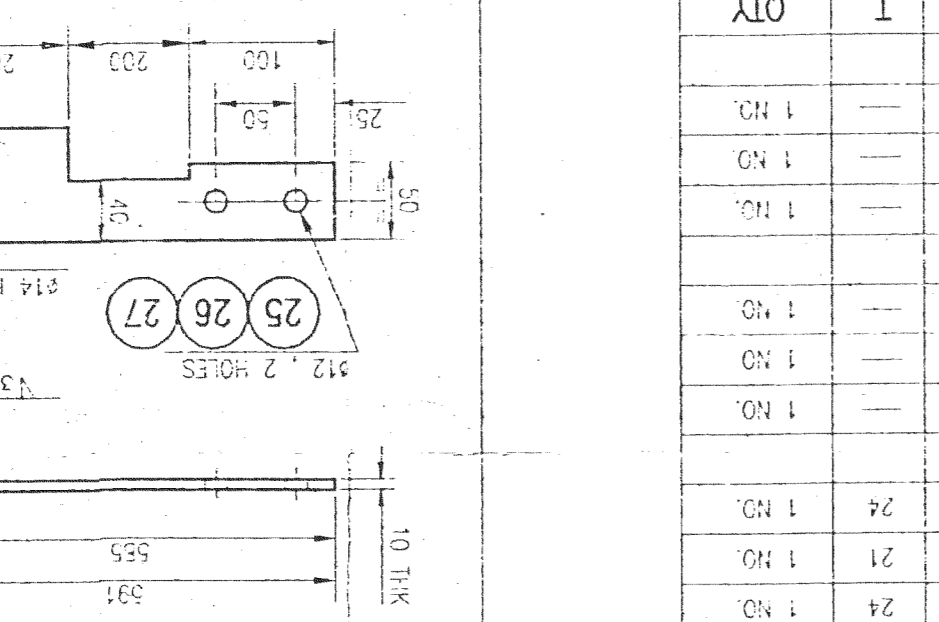
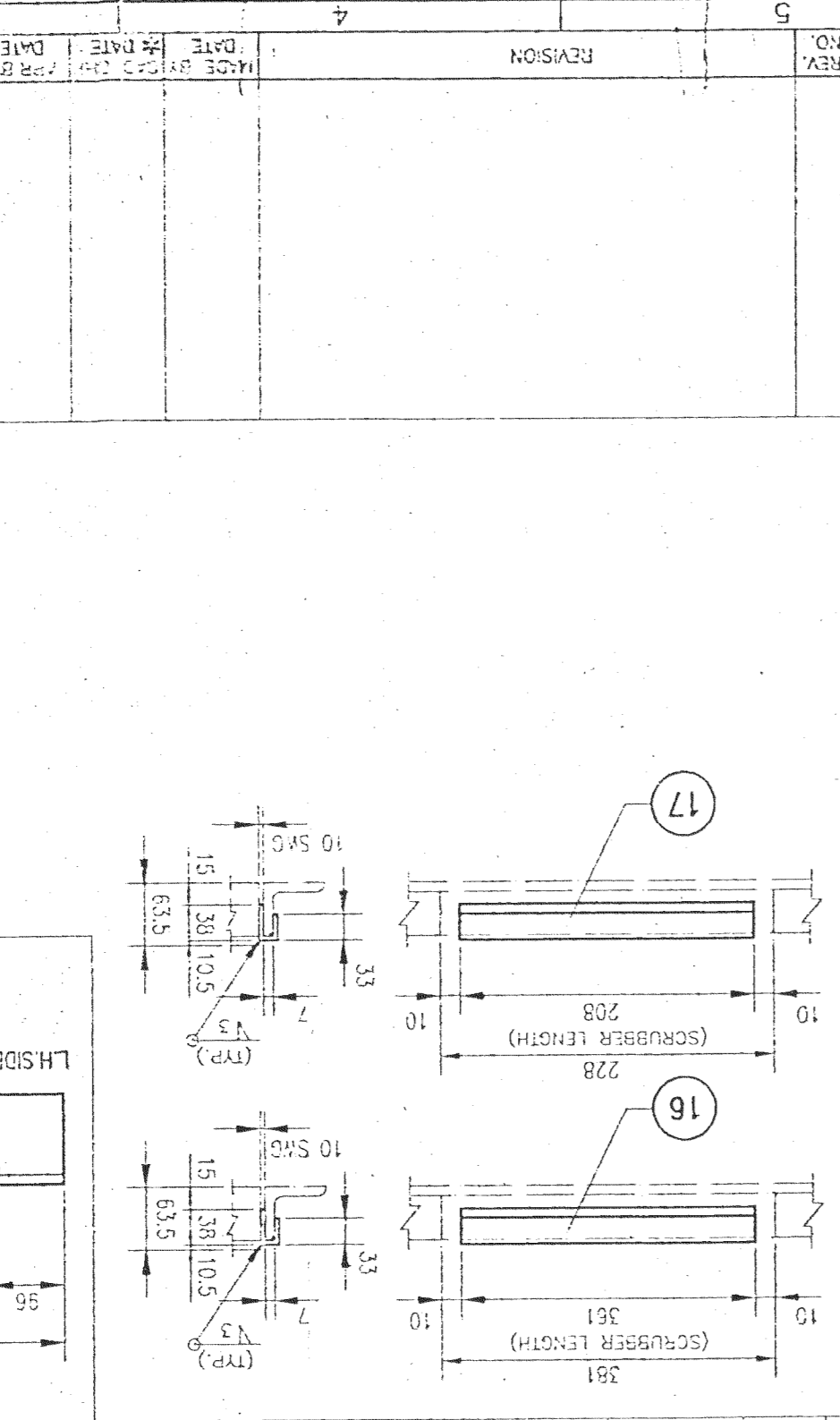
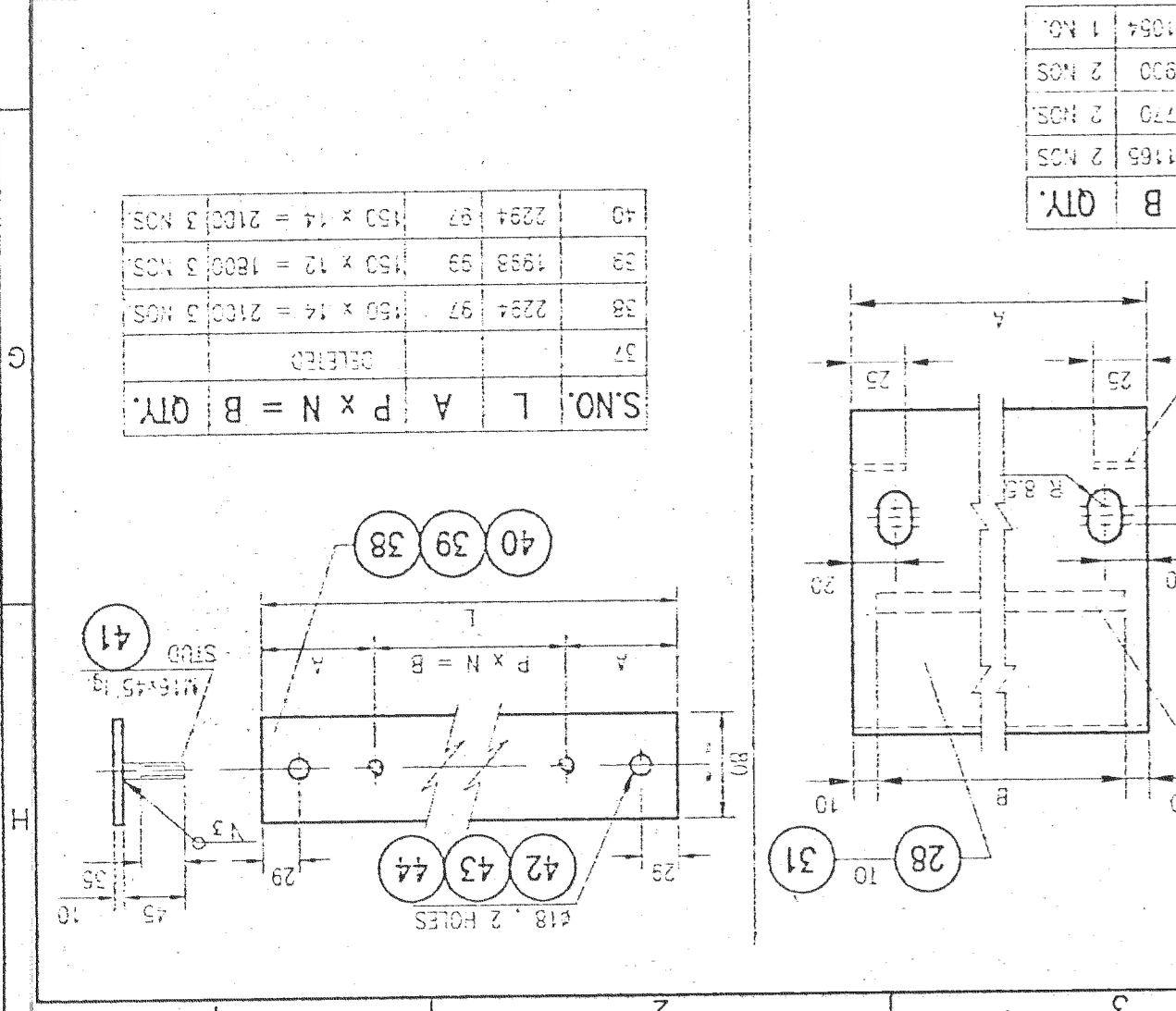
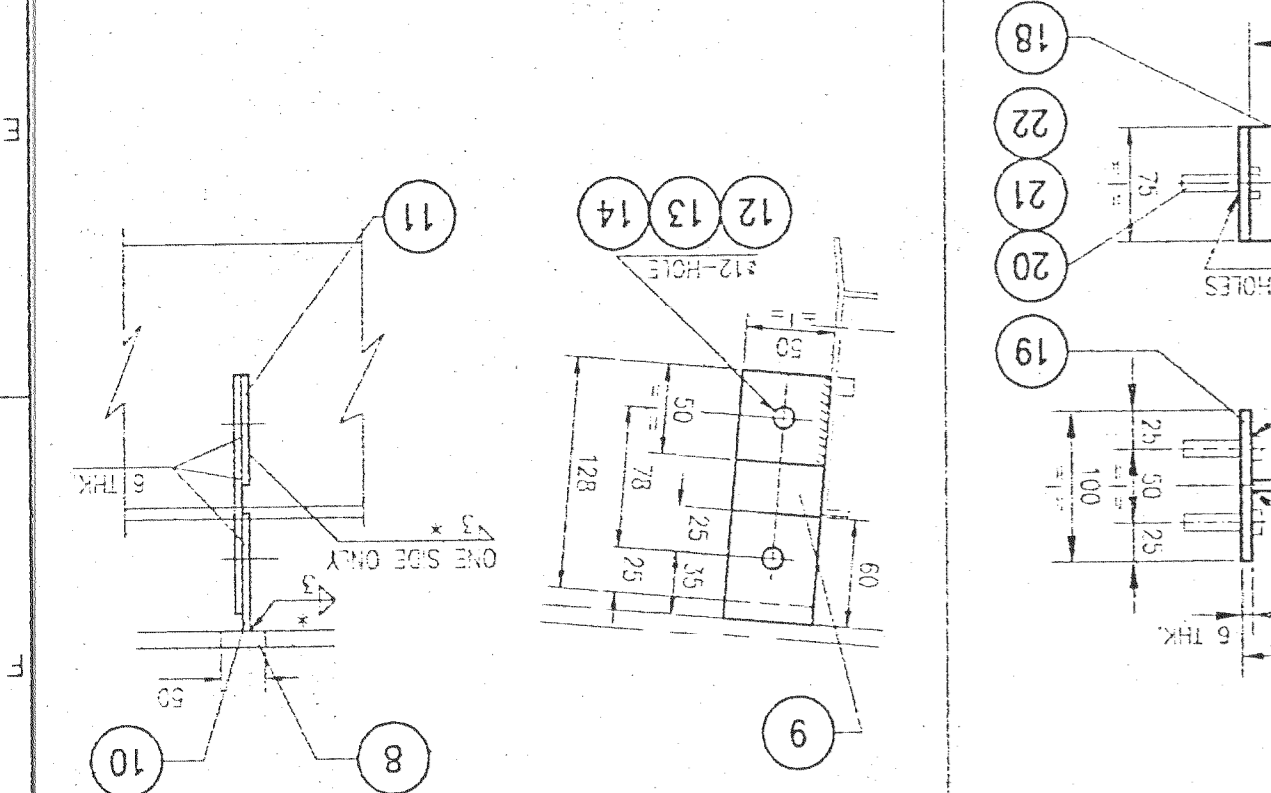
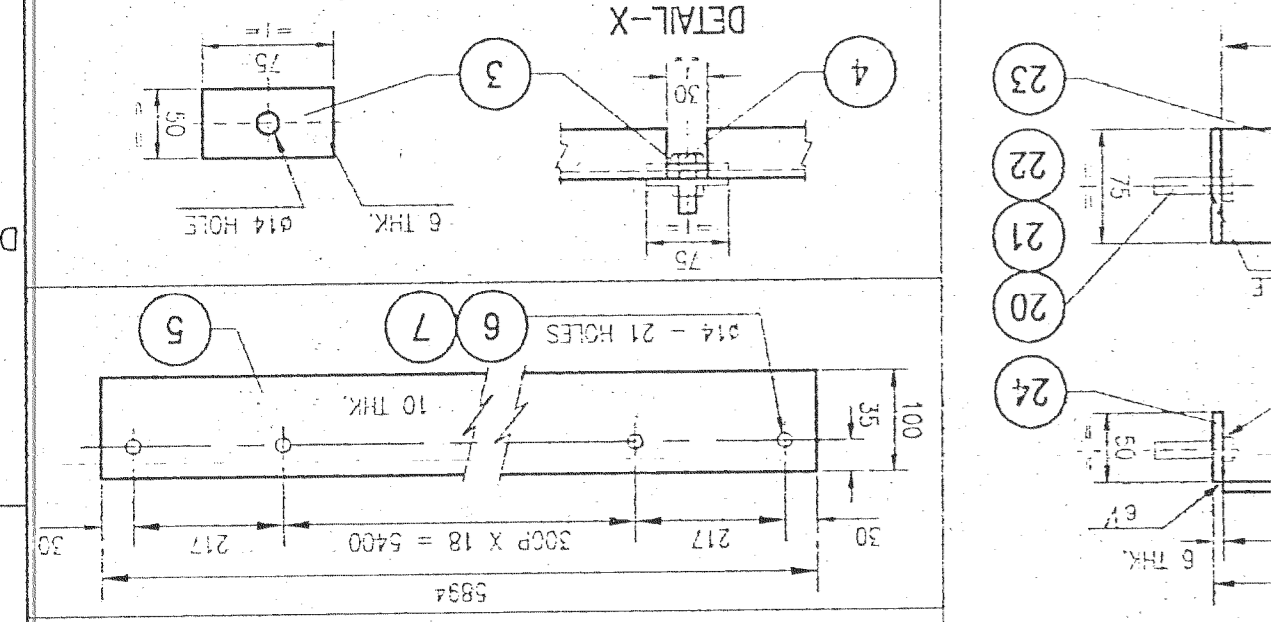
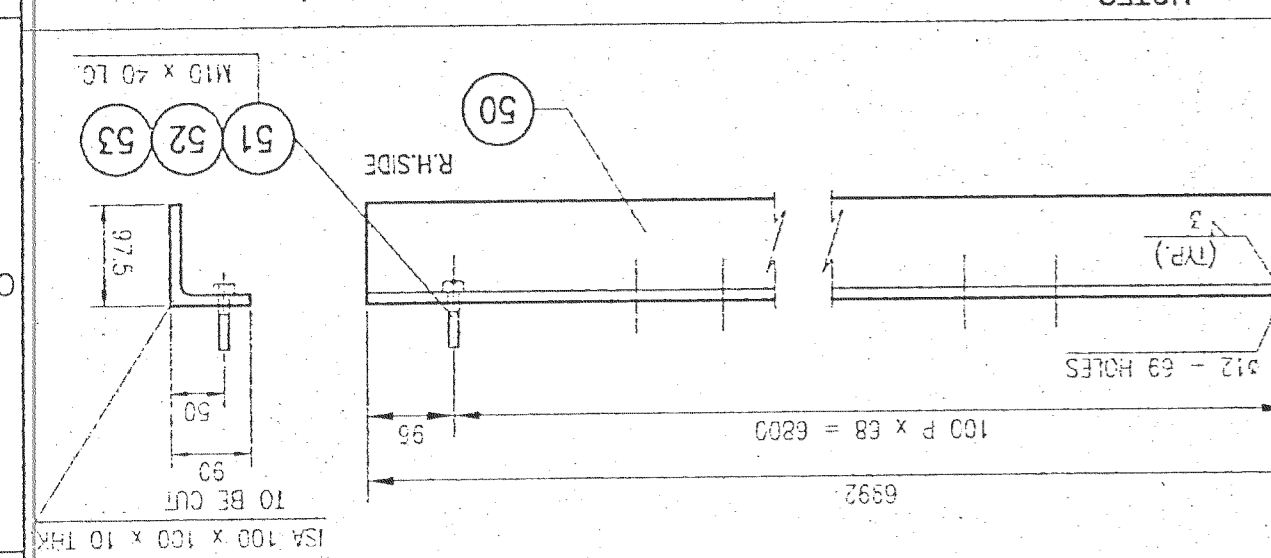
1. THIS SYMBOL IN THE BLOCK INDICATES THAT THIS BLOCK IS PICKED FROM BLOCK LIBRARY.

2. REVISION IN CAD DRAWING SHALL BE RELEASED ONLY AFTER ENGINEERING THAT IS INCORPORATED IN THE RELEVANT CAD FILE.

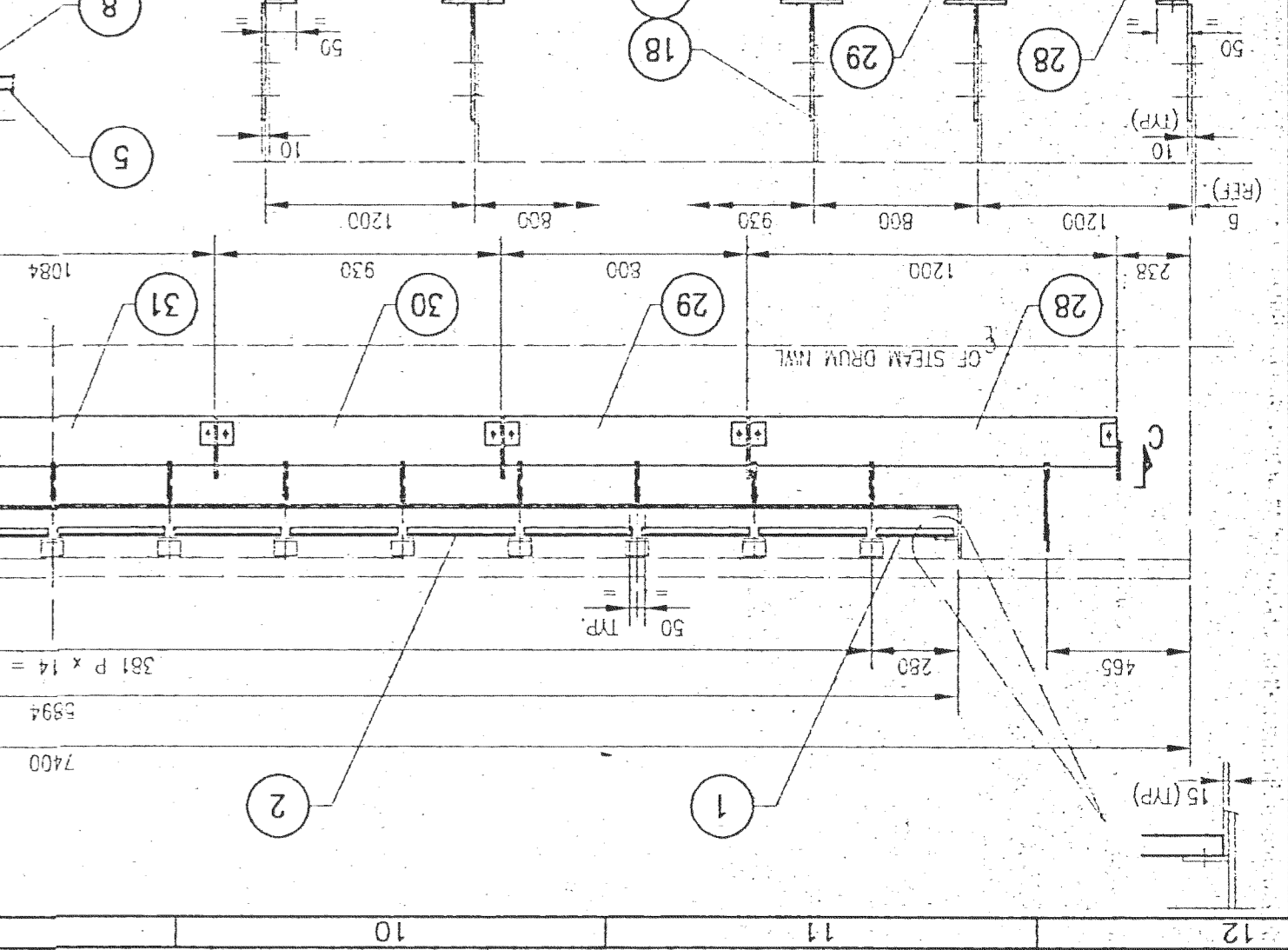
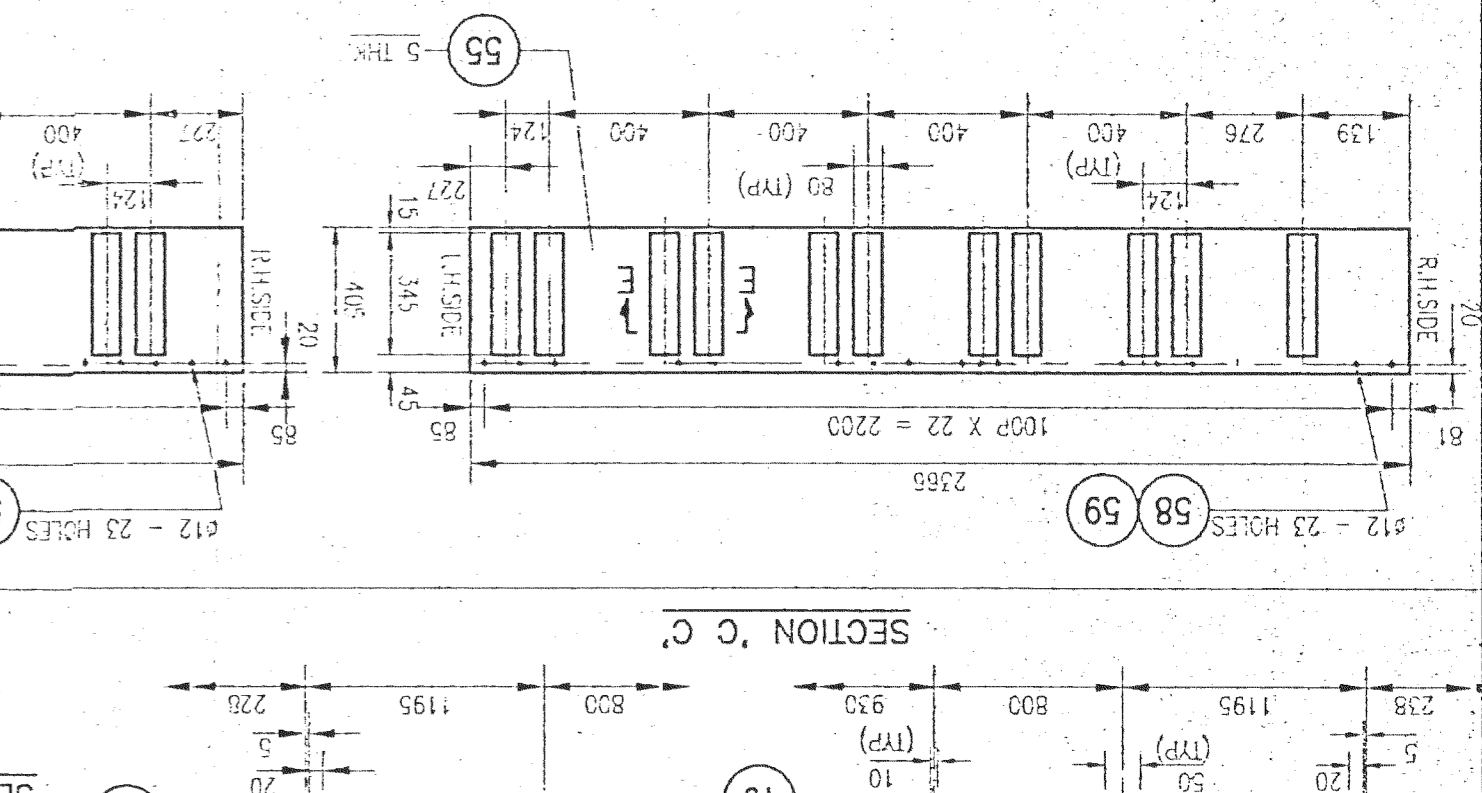
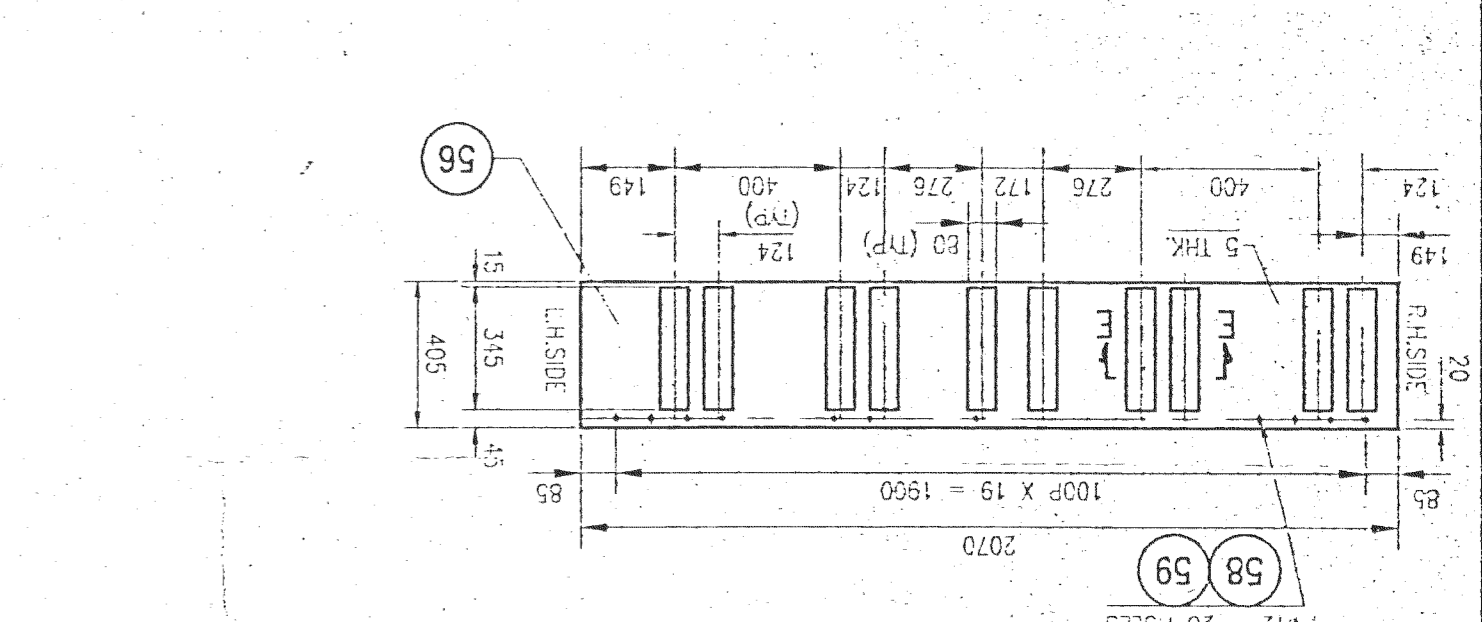
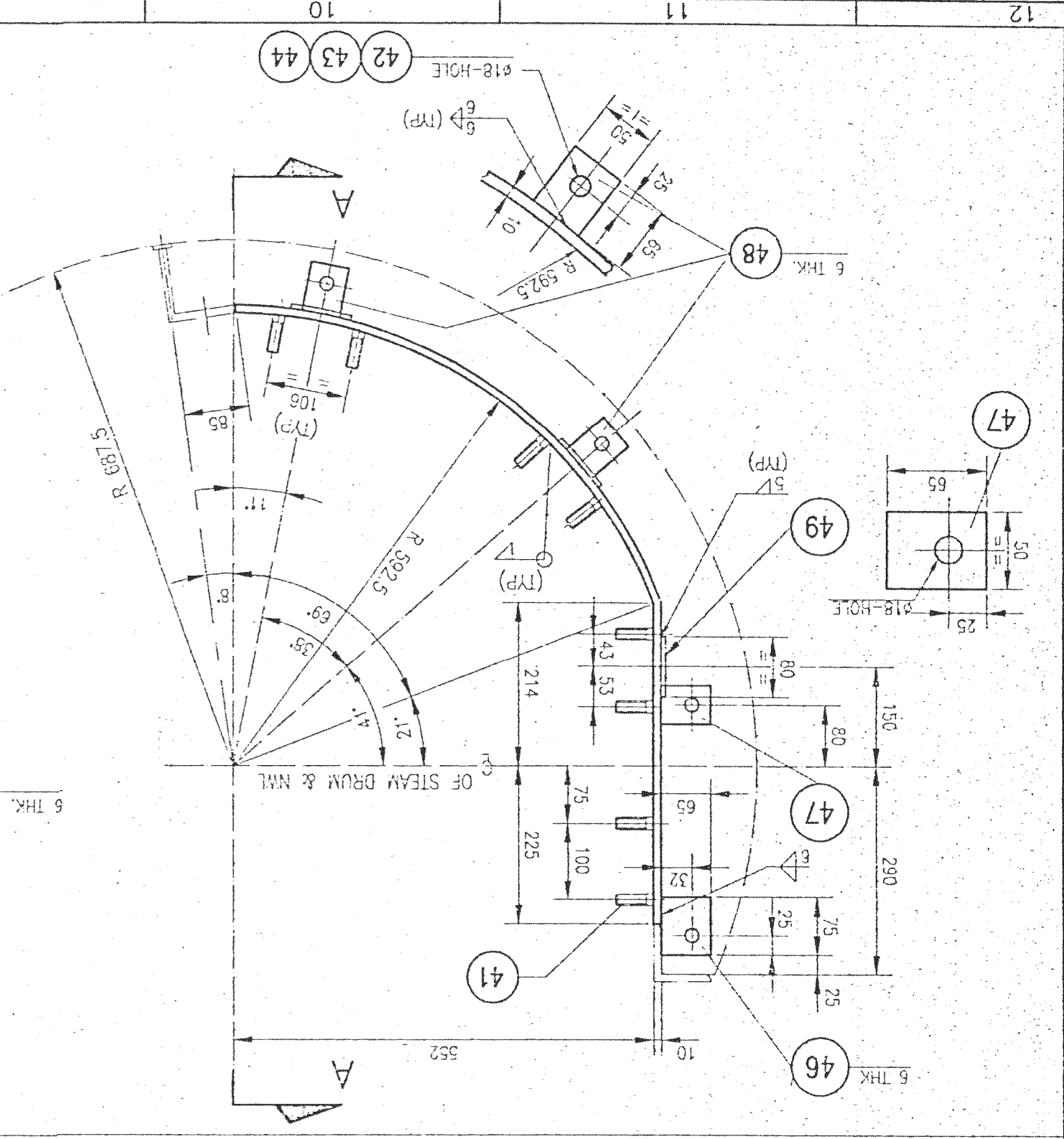
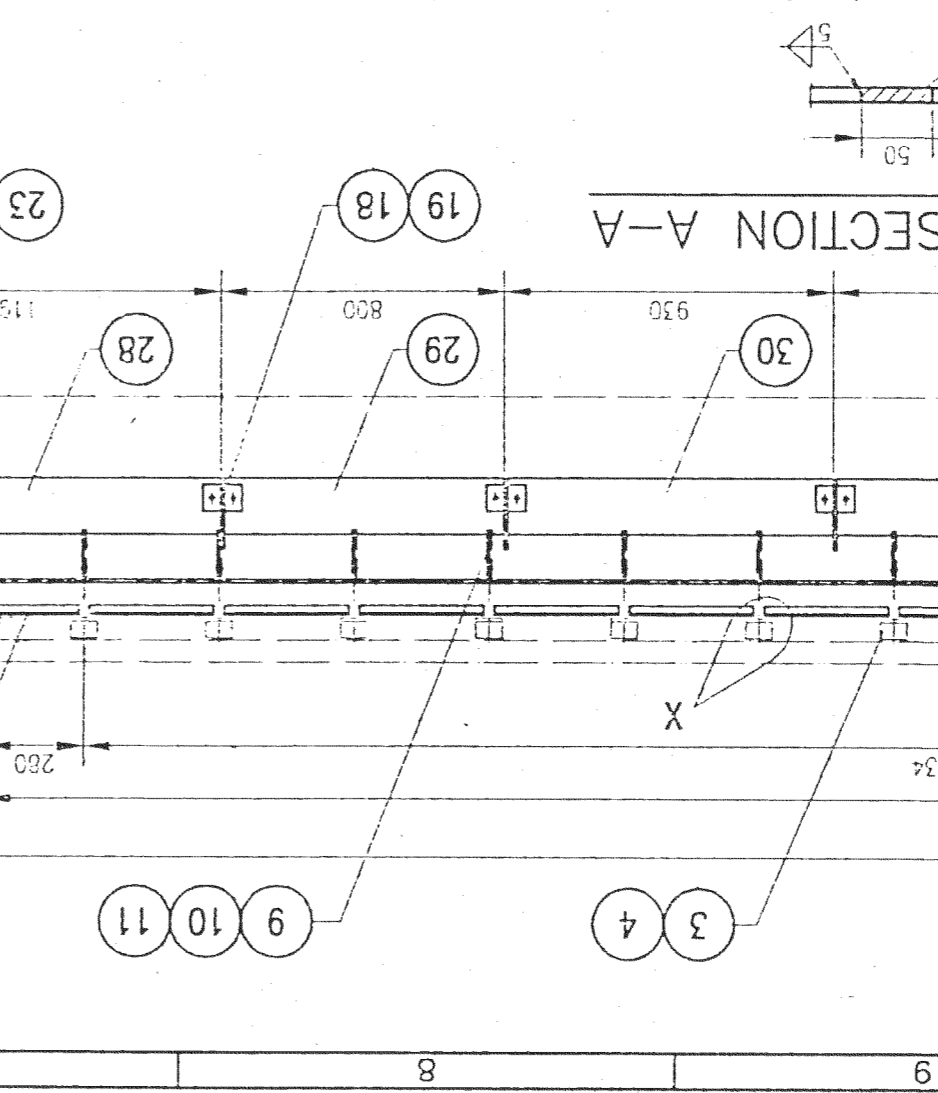
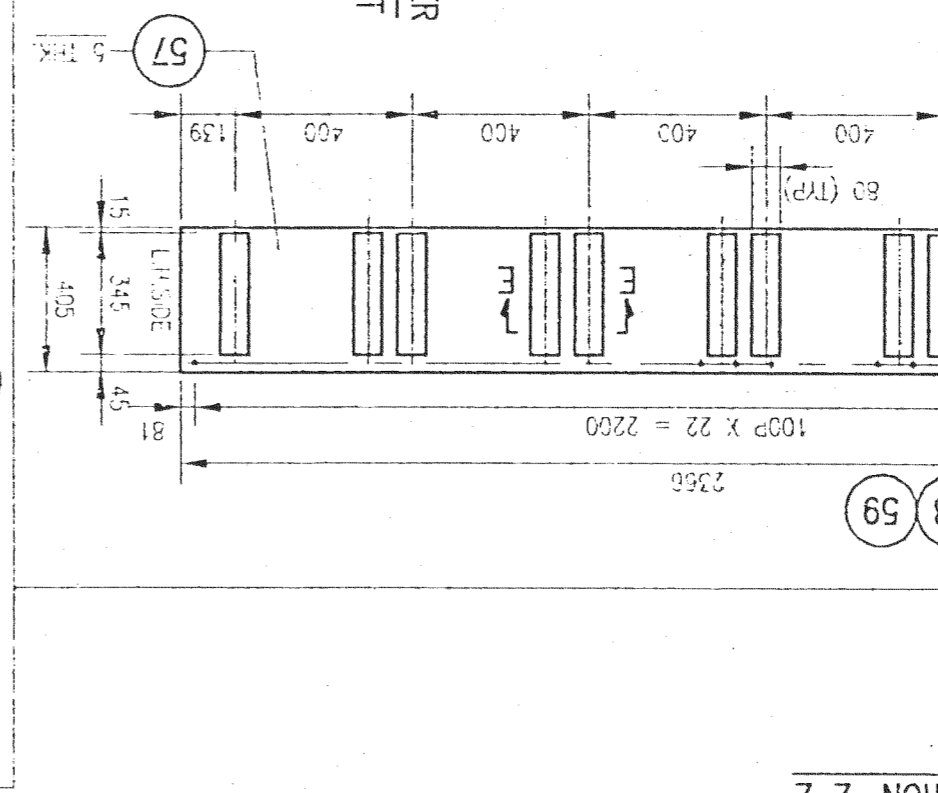
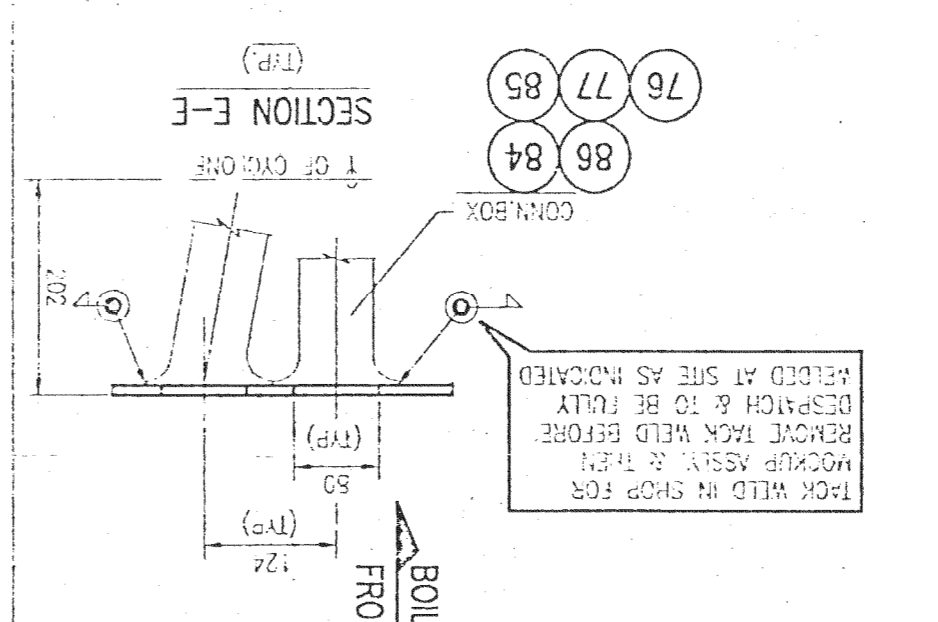
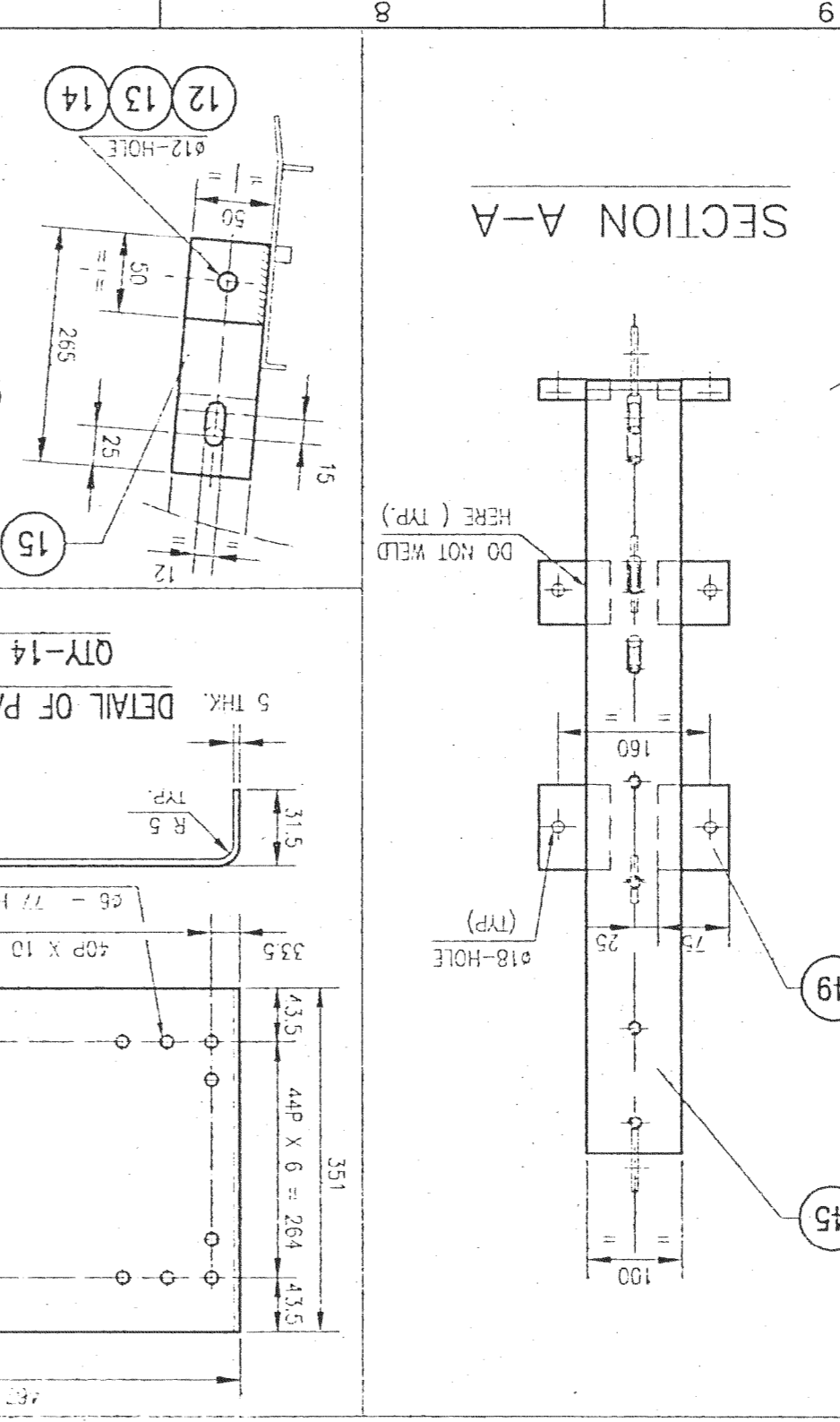
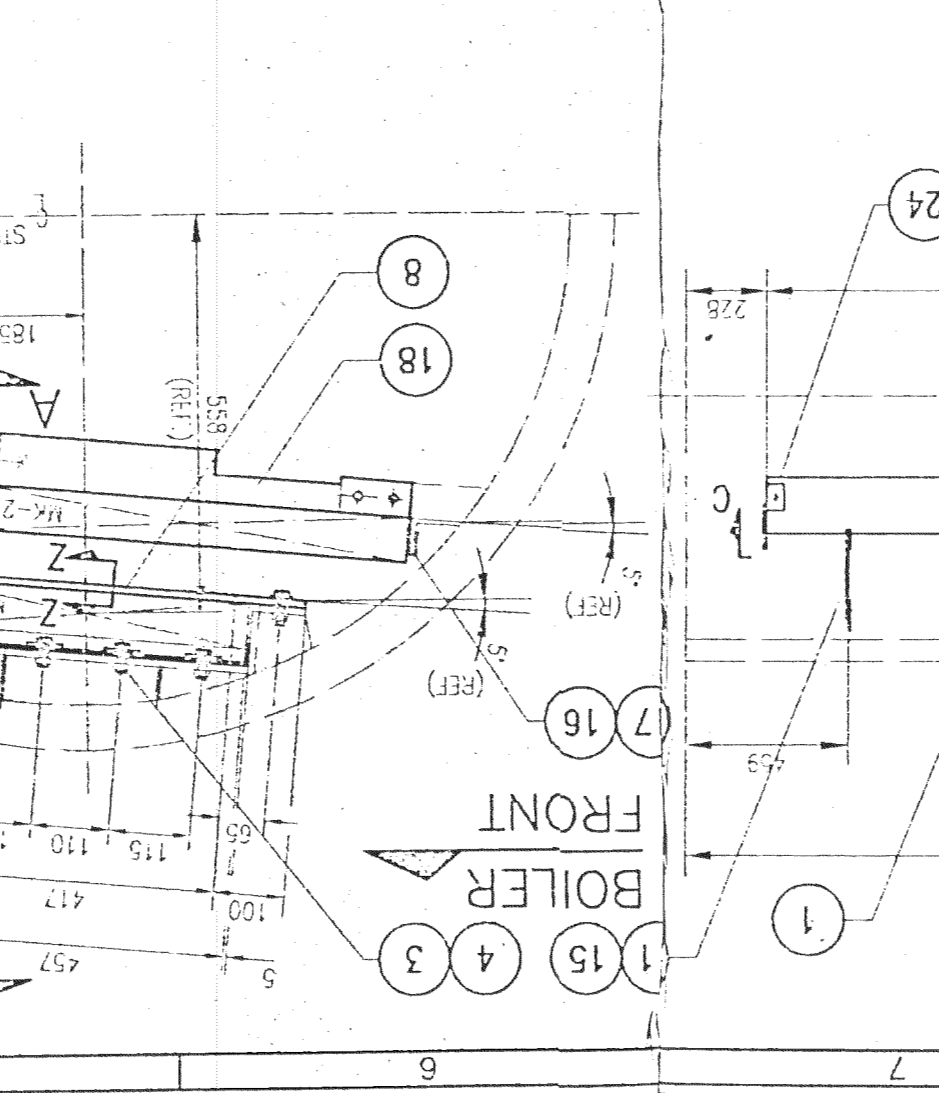
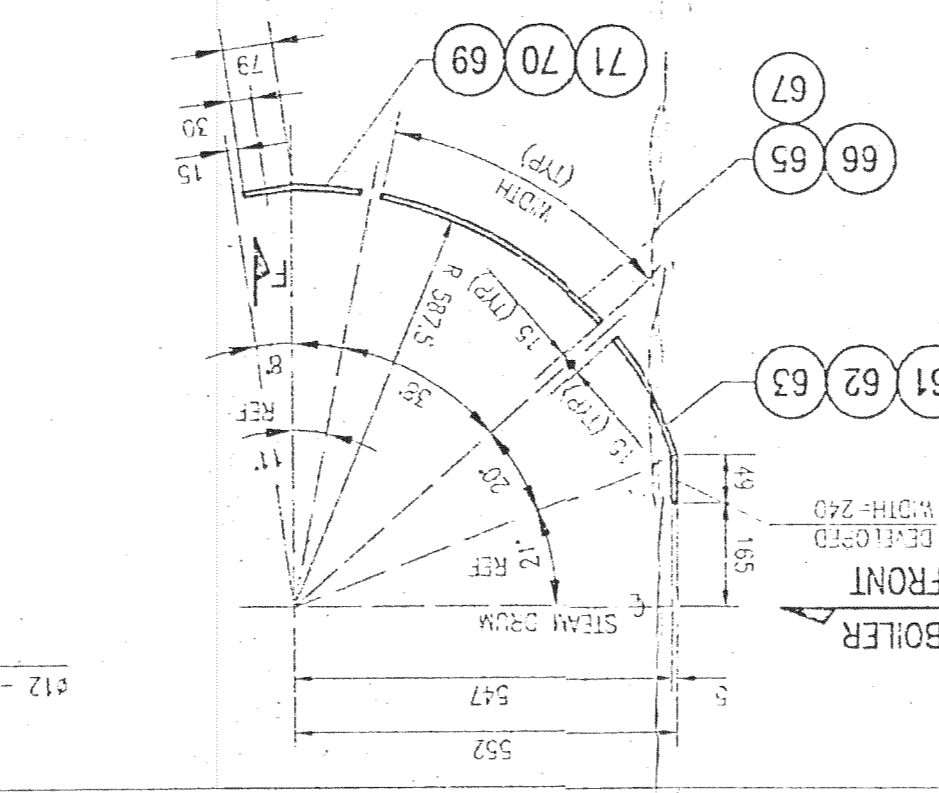
3. BOILER NO. W401700

NOTES:

- ALL DIMENSIONS ARE IN MM, UNLESS OTHERWISE SPECIFIED.
- FOR STEAM PURIFIER ASSEMBLY & GENERAL NOTES REFER DRAWING NO. P21-1FB-15093.
- INDICATES WELD AT ASSEMBLY.



SR. NO.	WIDTH	LENGTH	P X N = K	G	H	T	QTY.
60	DELETED						
61	240	2366	1 NO.				1 NO.
62	240	2070	1 NO.				1 NO.
63	240	2366	1 NO.				1 NO.
64	DELETED						
65	360	2366	1 NO.				1 NO.
66	360	2070	1 NO.				1 NO.
67	360	2366	1 NO.				1 NO.
68	DELETED						
69	100 X 23 = 2300	2366	1 NO.	31	24	24	1 NO.
70	100 X 20 = 2000	2070	1 NO.	35	35	21	1 NO.
71	100 X 23 = 2300	2366	1 NO.	31	35	24	1 NO.



DO NOT SCALE
IF IN DOUBT, ASK